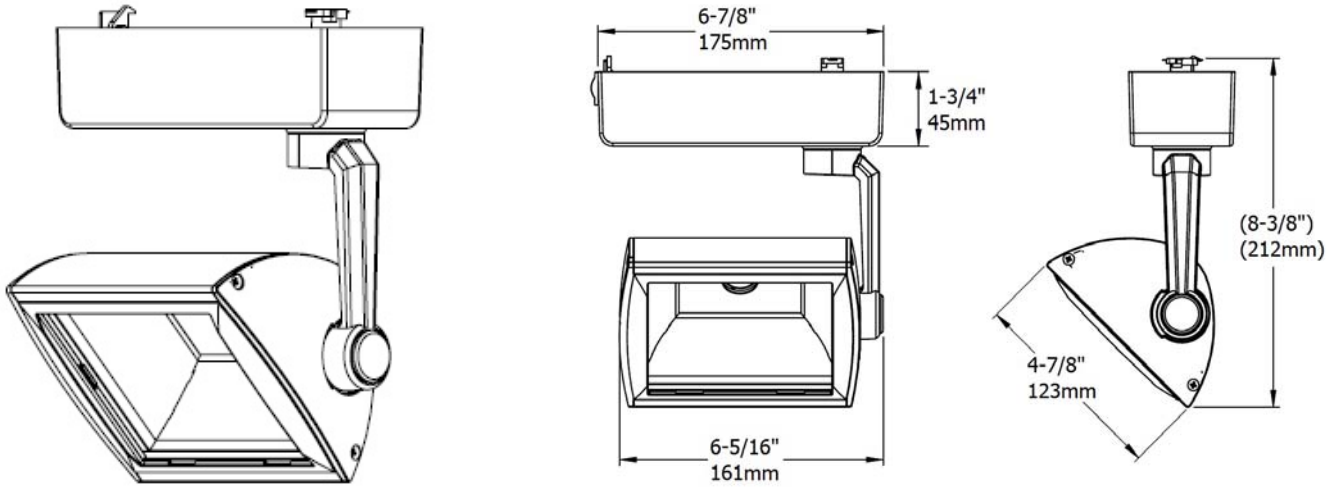




L517

120V LED TRACK WALL WASH/FLOOD

Type	
Project	
Catalog No.	



DESCRIPTION

Line voltage LED track fixture suitable for retail, commercial and hospitality wall wash application. Robust aluminum housing provides light weight, durability and clean lines.

CONSTRUCTION

Die-cast aluminum end caps, arm and driver housing.
Extruded aluminum heatsink.
No exposed wiring.
Powder coat paint.
350° horizontal, +90° vertical aim adjustment.

MOUNTING

Provides electrical and mechanical connection to single or two circuit track.

ELECTRICAL

Input	120VAC 50/60Hz
Input Power	30W
Efficacy	81 lm/W
Power Factor	> 0.9
THD	≤ 20%
Dimming	10%, refer to recommended dimmers list TRIAC (forward-phase or leading edge) ELV (reverse-phase or trailing-edge)

LED

CCT	2700K, 3000K, 3500K, 4000K
CRI	80 (2700K, 3000K, 3500K, 4000K) 90 (2700K, 3000K, 4000K) 97 (2700K, 3000K)

Color Control 3-step MacAdam ellipse
Refer to [Color Code Selection Guide](#) for available selections.

Luminous Flux 2468 lm @ 3000K, 80CRI

Optics

Built-in glass shield protects LED and optical components from contaminants. Wall wash beam spread.

L517VIS (sold separately)

Visor designed to provide additional shielding and glare reduction when needed. May be installed visor up or visor down position.

Custom designed heatsink provides optimal thermal management and silent operation to yield over 70% lumen maintenance for a minimum of 50,000 operation hours in 25°C (77°F) ambient.

LABELS

cETLus Listed

WARRANTY

5 Years

COLOR CODE SELECTION GUIDE

CCT	CRI	Color Code
2700K	80	2780
	90	2790
	97	2797

CCT	CRI	Color Code
3000K	80	3080 [§]
	90	3090
	97	3097

CCT	CRI	Color Code
3500K	80	3580

CCT	CRI	Color Code
4000K	80	4080 [§]
	90	4090

§QuickShip

ORDERING INFORMATION

SYSTEM	SERIES	Color Code		FINISH
		CCT	CRI	
H2 = H1 or H2 Track	L517	27 – 2700K	80 – 80	B – Black
L2 = L1 or L2 Track		30 – 3000K	90 – 90	
J2 = J1 or J2 Track		35 – 3500K	97 – 97	W – White
		40 – 4000K		

	L517		
--	------	--	--



www.jescolighting.com
support@jescolighting.com
Tech Support: 855.592.0029

15 Harbor Park Drive
Port Washington, NY 11050
Main Line: 800.527.7796
Fax Line: 855.265.5768

219 South 6th Ave
City of Industry, CA 91746
Main Line: 855.654.0110
Fax Line: 626.333.2955

Specifications subject to change without notice.

4/21/2016

Page 1



L517

120V LED TRACK WALL WASH/FLOOD

Type	
Project	
Catalog No.	

RECOMMENDED DIMMERS

Manufacturer	Model	Manufacturer	Model	Manufacturer	Model
Cooper ¹	DLC03P	Lutron	SELV-300P	Leviton ³	IPI06-1LZ
	DAL06P		TG-600P		IPE04
	SLC03P		LG-600P		VPE06
Lutron ²	S-603PG		S-600P		6683-IW
	DVCL-153P		MAELV-600		6161
	DV-600P		FAELV-500	6633-P	
	TGCL-153P	DVELV-303P	Lightolier ⁴	ZPE260QEW	

JESCO recommends testing your unique dimming configuration as the exact application may affect dimming performance.

APPLICATION DATA

CCT Correction Factor

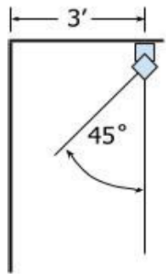
CCT	CRI	Factor
2700K	80	0.95
	90	0.74
	97	0.52

CCT	CRI	Factor
3000K	80	1.00
	90	0.78
	97	0.58

CCT	CRI	Factor
3500K	80	1.03

CCT	CRI	Factor
4000K	80	1.04
	90	0.88

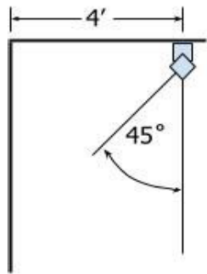
Footcandles on Wall



Distance from ceiling	Single Unit					
	0'	1'	2'	3'	4'	5'
1'	86	84	62	33	13	4
2'	83	80	61	34	14	5
3'	73	76	57	34	15	5
4'	55	57	46	30	15	6
5'	37	40	33	25	13	6
6'	22	22	20	15	10	6
7'	14	15	14	12	8	6
8'	10	10	9	8	6	5
9'	7	7	6	6	5	4

Multiple Units		
4'	6'	8'
105 101 106	93 47 90	86 17 88
103 100 104	89 49 86	83 18 84
97 95 96	80 50 78	74 20 75
80 80 79	60 47 60	57 21 57
59 60 59	44 37 43	38 19 39
40 40 40	28 27 28	24 17 24
29 30 30	20 21 20	17 14 17
22 22 22	15 16 15	12 11 12
16 17 17	12 12 12	9 9 9

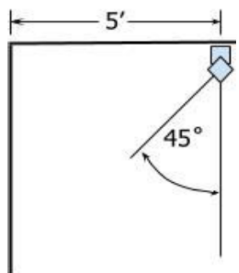
Multiple Units		
4'	6'	8'
74 75 74	57 44 56	53 21 54
78 78 77	59 47 58	55 23 55
79 80 79	59 49 58	54 25 54
75 75 75	53 49 53	48 27 48
62 62 62	53 52 43	37 25 37
47 48 48	32 33 32	27 22 27
36 37 37	25 26 25	20 18 20
28 29 29	19 20 20	15 15 15
21 22 22	15 16 16	12 12 12



Distance from ceiling	Single Unit					
	0'	1'	2'	3'	4'	5'
1'	52	52	43	28	15	6
2'	53	53	44	29	16	7
3'	52	53	44	30	17	7
4'	46	46	40	29	17	8
5'	34	36	31	25	16	9
6'	24	24	22	18	13	8
7'	16	17	16	14	10	7
8'	12	12	11	10	8	6
9'	8	8	8	7	6	5

Multiple Units		
4'	6'	8'
74 75 74	57 44 56	53 21 54
78 78 77	59 47 58	55 23 55
79 80 79	59 49 58	54 25 54
75 75 75	53 49 53	48 27 48
62 62 62	53 52 43	37 25 37
47 48 48	32 33 32	27 22 27
36 37 37	25 26 25	20 18 20
28 29 29	19 20 20	15 15 15
21 22 22	15 16 16	12 12 12

Multiple Units		
4'	6'	8'
57 58 57	40 38 39	36 23 36
62 62 62	43 41 43	38 25 39
65 66 66	45 44 45	40 27 40
66 67 67	45 45 46	39 29 39
58 59 60	40 41 40	33 27 33
48 49 49	33 34 33	26 25 26
39 40 40	27 28 28	21 21 21
31 33 33	22 23 23	17 17 17
25 27 27	19 19 19	14 14 14



Distance from ceiling	Single Unit					
	0'	1'	2'	3'	4'	5'
1'	34	34	30	22	14	7
2'	36	36	32	24	16	8
3'	37	37	33	25	17	9
4'	36	36	33	25	17	10
5'	29	30	27	23	17	10
6'	22	22	21	18	14	10
7'	17	17	16	14	12	9
8'	13	13	12	11	9	7
9'	9	9	9	8	7	6

Multiple Units		
4'	6'	8'
57 58 57	40 38 39	36 23 36
62 62 62	43 41 43	38 25 39
65 66 66	45 44 45	40 27 40
66 67 67	45 45 46	39 29 39
58 59 60	40 41 40	33 27 33
48 49 49	33 34 33	26 25 26
39 40 40	27 28 28	21 21 21
31 33 33	22 23 23	17 17 17
25 27 27	19 19 19	14 14 14

Multiple Units		
4'	6'	8'
57 58 57	40 38 39	36 23 36
62 62 62	43 41 43	38 25 39
65 66 66	45 44 45	40 27 40
66 67 67	45 45 46	39 29 39
58 59 60	40 41 40	33 27 33
48 49 49	33 34 33	26 25 26
39 40 40	27 28 28	21 21 21
31 33 33	22 23 23	17 17 17
25 27 27	19 19 19	14 14 14

Footcandles are average and rounded off. Data for multiple units are based on a minimum of five units.

Notes:

¹Cooper is a registered trademark of Eaton

²Lutron is a registered trademark of Lutron Electronics, Inc.

³Leviton is a registered trademark of Leviton Mfg. Co., Inc.

⁴Lightolier is a registered trademark of Philips Lighting.



www.jescolighting.com
 support@jescolighting.com
Tech Support: 855.592.0029

15 Harbor Park Drive
 Port Washington, NY 11050
Main Line: 800.527.7796
Fax Line: 855.265.5768

219 South 6th Ave
 City of Industry, CA 91746
Main Line: 855.654.0110
Fax Line: 626.333.2955

Specifications subject to change without notice.