

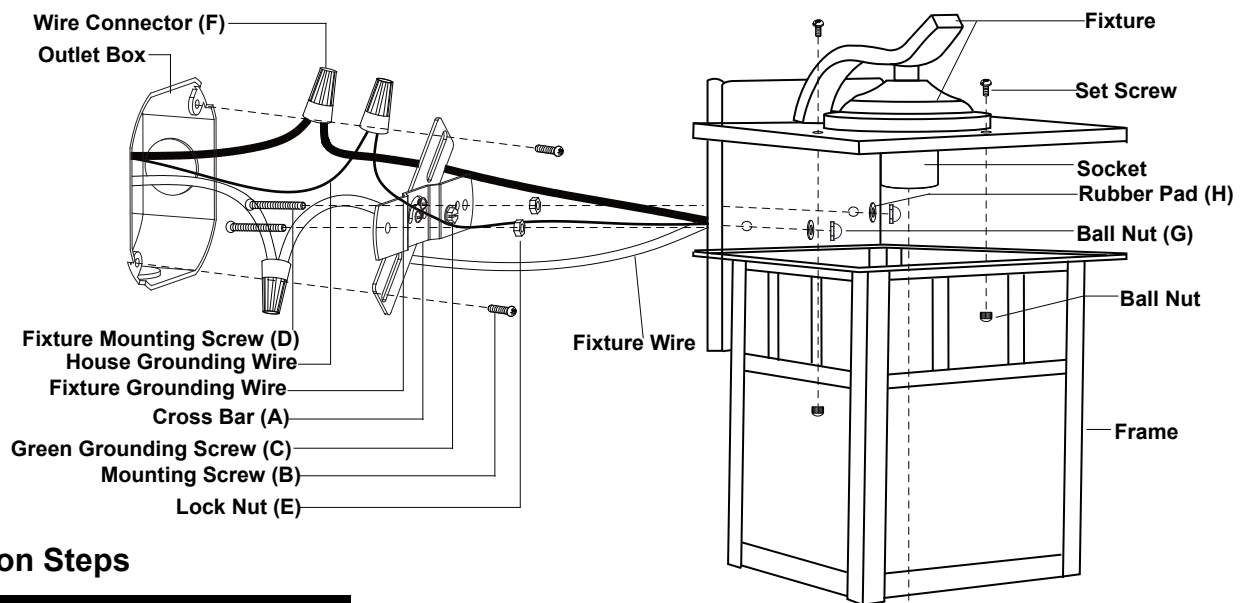
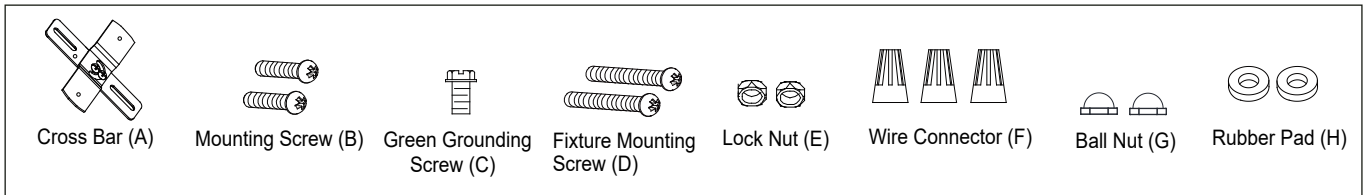
ASSEMBLY AND INSTALLATION INSTRUCTIONS

T0442 T0443

WARNING: TO AVOID RISK OF ELECTRICAL SHOCK, BE SURE TO SHUT OFF POWER BEFORE INSTALLING OR SERVICING THIS FIXTURE.

NOTES: 1. Before installing, consult local electrical codes for wiring and grounding requirements.
2. READ AND SAVE THESE INSTRUCTIONS.

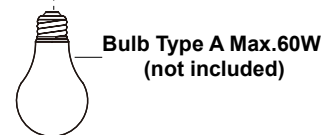
Hardware Package (included):

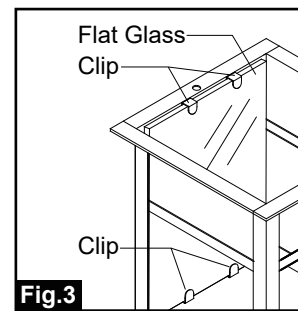
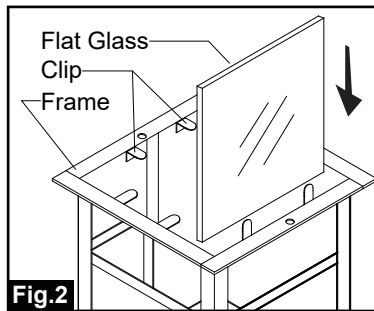
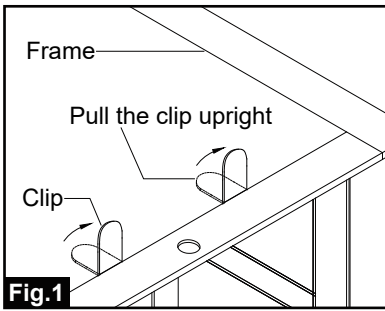


Installation Steps

Turn off the power at fuse or circuit box

1. Unscrew the set screws and ball nuts to separate the frame from the fixture.
2. Thread two fixture mounting screws (D) through the cross bar (A), then secure them with two lock nuts (E).
Adjust the length of the screws if necessary.
3. Attach the cross bar (A) to the outlet box by using two mounting screws (B).
4. Pull out the outlet wires and house grounding wire from the outlet box. Make wire connections using the wire connectors (F):
 - The black wire from the light to the black wire from the power source.
 - The white wire from the light to the white wire from the power source.
 - Attach the fixture grounding wire to the cross bar (A) with the green grounding screw (C). Then connect it to the house grounding wire with a wire connector (F).Carefully tuck the wires back into the outlet box.
5. Attach the back plate to the cross bar (A) by inserting the fixture mounting screws (D), then secure it with the two rubber pads (H) and ball nuts (G).





6. Gently pull the clips upright to place the flat glasses into the frame, and then press them back to secure the flat glasses (See Fig.1 & Fig.2).

Note: The flat glass should be fastened into position as shown in Fig.3.

7. Install a bulb (not included). See relamping label at socket area or packaging for maximum allowed wattage.

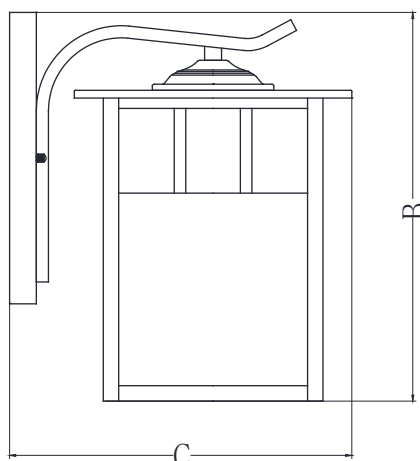
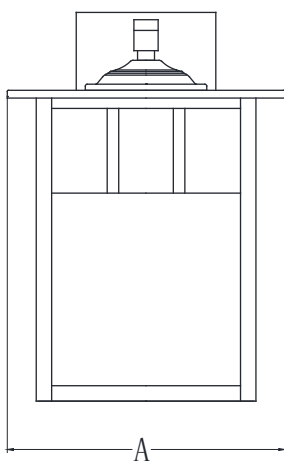
8. Restore the frame back to the fixture, and then secure it with two set screws and two ball nuts.

Turn on the power at fuse or circuit box

The following parts are available for re-order if damaged or missing.

Spare Parts List:

				Assembly Kit 5971MM (1SET) T0442 Glass (4 PCS) 10017CS T0443 Glass (4 PCS) 10018CS
Cross Bar (A) Lock Nut (E)	Mounting Screw (B) Wire Connector (F)	Green Grounding Screw (C) Ball Nut (G)	Fixture Mounting Screw (D) Rubber Pad (H)	



T0442

T0443

A:9"

A:7-1/4"

B:12-1/2"

B:9-1/2"

C:11"

C:9"