

ASSEMBLY INSTRUCTIONS FOR YOUR

Jonathan Adler

VENTANA CHANDELIER

IMPORTANT SAFETY INSTRUCTIONS:

*These instructions are provided for your safety. It is very important that they are read completely before beginning the installation of your fixture.

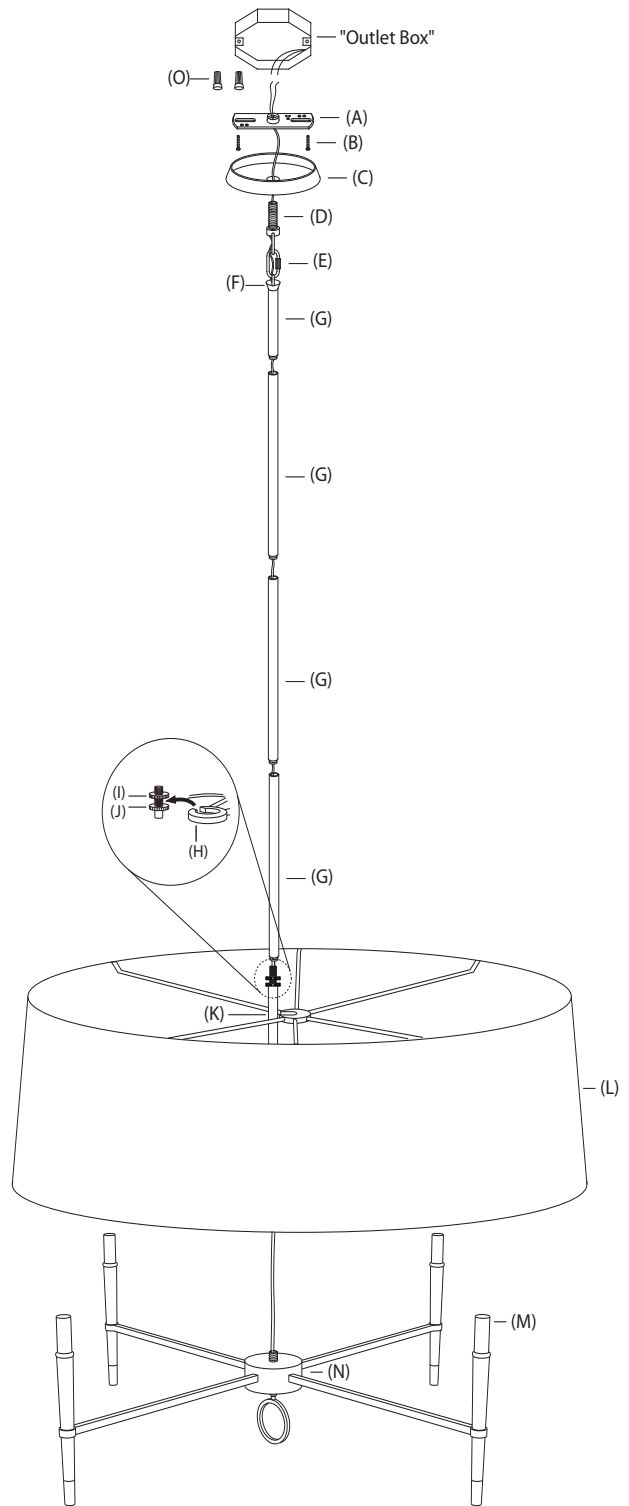
***WE STRONGLY RECOMMEND INSTALLATION BY A LICENSED ELECTRICIAN.**

*Turn off power at switch before replacing bulbs, making sure fixture has had sufficient time to cool down.

*DO NOT subject the fixture to any shock while lit as shattering of bulbs may result.

ASSEMBLY INSTRUCTIONS:

1. SHUT OFF THE MAIN ELECTRICAL SUPPLY FROM THE MAIN FUSE BOX/ CIRCUIT BREAKER.
2. Remove all parts from carton. Do not throw away any parts.
3. Remove cross bar (A) from threaded nipple (D), and canopy (C). Affix cross bar (A) to outlet box using screws (B) provided.
4. Place shade (L) above bottom section of fixture. Slide slotted washer (H) onto threaded tube between shade washer (I) and shade washer (J). To secure position of shade (L), thread shade washer (J) tightly against slotted washer (H)
5. Remove quick connector (E) from loop on threaded nipple (D).
6. Measure desired drop for fixture to hang and add / remove extension tubes (G). Guide wiring through extension tubes before threading tubes together.
- **ADD / REMOVE EXTENSIONS: (Un)Thread the threaded nipple of one extension into the threaded opening of the next extension. Make sure wiring is pulled tight when threading extensions together to prevent damage to the wire**
7. Thread extension (K) on to housing (N). Turn until hand tight.
8. Guide the wire exiting loop (F) through quick connector (E), threaded nipple (D), and canopy (C).
9. Lift fixture to ceiling outlet box. Guide wiring through hole in center of cross bar (A).
10. Gently pull wires from outlet box and make proper electrical connection. A LICENSED ELECTRICIAN IS RECOMMENDED.
11. Attach ground wire from fixture (green or copper in color) to ground wire from outlet box.
12. Attach hot wire from fixture (black in color or smooth side of wire) to hot wire from outlet box. Fasten wires together with wire nut (O) and tightly wrap connection with electrical tape.
13. Attach neutral wire from fixture (white in color or ribbed side of wire) to neutral wire from outlet box. Fasten wires together with wire nut (O) and tightly wrap connection with electrical tape.
14. Gently push wires back into ceiling outlet box.
15. Hold canopy against ceiling over outlet box. Slide threaded nipple (D) through canopy (C) and thread into hole in center of crossbar (A). Turn until collar on threaded nipple (D) holds canopy (C) securely against ceiling.
16. Attach quick connector (E) to loop on threaded nipple (D).
17. Install four (4) 60W max. Candelabra base bulbs into sockets (M).



To clean, use a soft cloth only. DO NOT use any chemical or abrasive cleaners.